

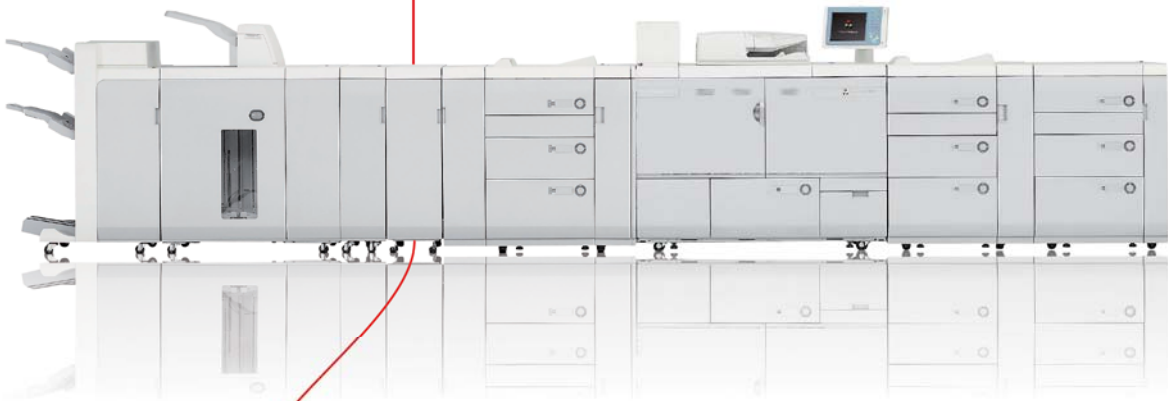
you can
Canon

imagePRESS 1125
Monochrome
Digital Production

Canon imagePRESS 1125 Professional Production Printer iPR1125 for London Business

ImPRESSive results in black and white

Engineered for mid to high-volume production environments, the imagePRESS 1125 never fails to deliver. Exceptional print quality, flexible media handling and non-stop productivity ensure your most demanding workloads are effortlessly handled



Maximum Productivity

Full production speeds of up to 125 ppm are achieved across all media types and weights from 52g/m² up to 300g/m², whilst a maximum paper size of 19" x 13.2" is supported.

A sizeable 14,000 sheets paper supply from up to 3 POD decks with multiple sources is complemented by air-assisted feeding, for exceptional reliability and almost 2 hours of uninterrupted production.

Class leading quality

1,200 dpi print resolution and an innovative twin sleeve print process combine to deliver outstandingly sharp text and images.

Precision printing

Accurate registration, which is actively adjusted during print runs, ensures consistency at high speeds for non-stop operation.

Highly innovative

New micro toner technology developed for this imagePRESS range delivers consistently high quality output across a wide range of media.

Exceptional finishing

Choose from a huge diversity of in-line finishing possibilities including perfect binding, multi-folding, saddle-stitching, punching, one or three edge trimming, and up to 2 high capacity stackers. Intelligent Registration technology ensures impressive results print after print.

**Powerful performance
for mid to high-volume
production.**



imagePRESS

Specifications imagePRESS 1125

PRINTING ENGINE Recommended Monthly Print Volume Recommended Maximum Monthly Print Volume Targeted Average Monthly Print Volume Resolution Registration Accuracy HDD Capacity Memory Media Weight Paper Feeding Capacity Paper Finishing Capacity Dimension (W x D x H) Weight Power	250,000 to 800,000 2.8 million per month 350,000 per month 1,200 x 1,200 dpi +/- 0.5mm (front to back) 80GB 512+512MB 52 to 300g/m ² Standard: 2,000 Maximum: 14,000 27,000 1385 x 809 x 1040mm (excluding Control Panel) Approx 500kg 230V x 32A + 230V x 15A	HIGH CAPACITY STACKER-E1 Stack Tray Capacity Top Tray Capacity Acceptable Paper Weight Acceptable Paper Size Up to 2 stacker can connect Power Source/ Consumption Dimension Weight	10,000 sheets / A4 5,000 sheets / A3 with 80g/m ² sheets 1,000 sheets with 80g/m ² sheets 52-300g/m ² B5-13 x 19.2 inch 230V 10A (2nd Stacker can get power from 1st Stacker) 997 x 792 x 1362mm Approx 210kg	TWO-KNIFE BOOKLET TRIMMER-A1 Trim Width Trim Thickness Acceptable Paper Weight Output Tray Capacity Power Source Dimension Weight	Top and Bottom Edge trim 2-15mm Up to 50 sheets (includes Cover, by half fold) 52-300g/m ² 30 booklets 230V x 10A 536 x 770 x 1040mm Approx 145kg
PRODUCTIVITY Speed Simplex Plain 80g/m ² 81-105g/m ² 106-180g/m ² 181-300g/m ² Simplex Coated 90g/m ² 91-120g/m ² 121-128g/m ² 129-150g/m ² 151-180g/m ² 181-240g/m ²	A4 A3 125 75 125 75 125 64 125 64 A4 A3 125 70 117 59 78 39 58 29 39 19 29 14	PERFECT BINDER-C1 Maximum Cover Size Cover weight Inner Size Inner Weight Cutting Range Booklet thickness Power Source Dimension Weight	B4-13" x 19.2" 91-300g/m ² B5-228.6 x 320mm 52-105g/m ² Top/Bottom 13 to 79mm Fore-edge 6.5 to 49.5mm Up to 25mm 230V x 10A 922 x 783 x 1300mm Approx 306kg	PROFESSIONAL PUNCHER-B1 External In-line Punch Unit Acceptable Punch Paper Weight Acceptable Punch Paper Size Punch Tools Power Source Dimension Weight	75-216g/m ² A4 Plastic Comb 21-Hole Twin Loop 23-Hole (Round) Twin Loop 34-Hole (Round) Color Coil 47-Hole Velo Bind 12-Hole Loose Leaf 4-Hole Punch Loose Leaf 2-Hole Punch Loose Leaf 4-Hole (Swedish) Loose Leaf 3-Hole Pro Click 34-Hole From Integration Unit-A1 305 x 792 x 1040mm Approx 80kg
POD DECK-C1 SECONDARY PAPER DECK-C1 Power Source/ Consumption Dimension Weight	3 drawers 4,000 sheets capacity 52-300g/m ² sheets B5-13x19.2 inch Up to 3 decks can attach 230V 10A 745 x 792 x 1095mm (1 deck) 1561 x 792 x 1095mm (2 decks) 2377 x 792 x 1095mm (3 decks) Approx 226kg (1 deck) Approx 452kg (2 decks) Approx 678kg (3 decks)	PAPER FOLDING UNIT-F1 V-Fold Z fold C Fold Zigzag Fold Double Parallel Power Source Dimension Weight	52-105g/m ² 52-105g/m ² 52-105g/m ² 52-105g/m ² 52-90g/m ² From Finisher-AF1 or Saddle Finisher-AF2 336 x 793 x 1190mm Approx 65kg	PROFESSIONAL PUNCHER INTEGRATION UNIT-A1 Mandatory for Professional Puncher-B1 Power Source Dimension Weight	230V 10A 250 x 792 x 1040mm Approx 80kg
MULTI DOCUMENT INSERTION UNIT-A1 Power Source/ Consumption Dimension Weight	3 drawers 4,000 sheets capacity 52-300g/m ² sheets B5-13x19.2 inch 230V 10A 1079 x 792 x 1095mm Approx 251kg	FINISHER-AF1 Number of trays Top Tray Below Tray Stapling position Acceptable Paper Weight Power Source Dimension Weight	2 3,000 sheets 2,000 sheets Corner, Double 52-300g/m ² 5,000 sheets stock capacity up to 100 sheets stapled 230V x 10A 800 x 792 x 1180mm Approx 130kg	3 SERVER OPTIONS	imagePRESS Server J200 imagePRESS Server J100 imagePRESS Printer Kit-A1
COLOR IMAGE READER-L1 Scan Speed BW - Simplex/Duplex Colour - Simplex/Duplex Original Tray Capacity Power Source/ Consumption Dimension Weight	1-pass duplex 120/120ipm (600 dpi) 120/200ipm (300 dpi) 40/40ipm (600 dpi) 80/80ipm (300 dpi) 300 sheets From Main Machine 633 x 588 x 179mm Approx 26.9kg	SADDLE FINISHER-AF2 Number of trays Top Tray Below Tray Stapling position Acceptable Paper Weight Available Saddle Size V-Folding Power Source Dimension Weight	2 3,000 sheets 2,000 sheets Corner, Double 52-300g/m ² 5,000 sheets stock capacity Up to 100 sheets staple Up to 100 pages booklet available (2-25 sheets) JIS B5 (182x257mm) Up to 5 sheets 230V x 10A 800 x 792 x 1180mm Approx 180kg	BOOKLET TRIMMER-D1 One Edge Trimming Trim Width Trim Thickness Acceptable Paper Weight Output Tray Capacity Power Source Dimension Weight	(Fore-edge) 2-20mm Up to 50 sheets (includes Cover, by half fold) 52-300g/m ² 30 booklets Saddle Finisher-AF2 1575 x 770 x 1040mm Approx 152kg

Canon recommends you use Canon Media for the best results. Please check media (paper) compatibility list to see which variety of paper/media is recommended.

Some images are simulated for clarity of reproduction. All data is based on Canon's standard testing methods. This leaflet and the specifications of the product have been developed prior to the date of product launch. Final specifications are subject to change without notice. ™ and © All company and/or product names are trademarks and/or registered trademarks of their respective manufacturers in their markets and/or countries.

you can
Canon

Canon Inc.
www.canon.com
Canon Europa N.V.
www.canon-europe.com

English-UK Edition 0133W605
© Canon Europa NV 2009 (0309)

Canon (UK) Ltd
Woodhatch, Reigate
Surrey RH2 8BF
Telephone No: 01737 220000
Facsimile No: 01737 220022
www.canon.co.uk

Canon Ireland
Arena Road, Sandyford Industrial Estate
Dublin 18, Ireland
Telephone No: 01-2052400
Facsimile No: 01-2958141
www.canon.ie



Canon's GENUINE logo means quality all-round performance

