

Configuration Document

e-STUDIO5540c (LCF)

Art n°: 6AG00003371



Standard equipment:

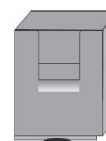
- 2 cassettes, 540 sheets each
- Tandem LCF, 2320 sheets
- Bypass, 100 sheets
- RADF, 100 sheets
- Stackless auto-duplex unit
- Colour LCD touch panel
- 4th generation e-BRIDGE
- 2.0 GB RAM
- 80 GB hard drive
- Print/Scan function
- Network interface
- TopAccess
- e-Filing
- 4 Process Units, incl. Drums and Developers

Toshiba e-Studio5540c-LCF Accessories Configuration Document



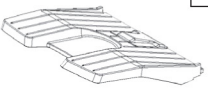
PAPER SOURCES

MP-2501A

- Art n°: 6A000001017
- Large Capacity Feeder
 - 1 x 2.500 sheets A4



FINISHING

<p>MJ-1103 Art n°: 6AH00000141</p> <ul style="list-style-type: none"> • Console Finisher • 50-sheet multi-position stapling  <input type="checkbox"/>	<p>MJ-1104 Art n°: 6AH00000160</p> <ul style="list-style-type: none"> • Booklet Finisher • 50-sheet multi-position stapling • Saddle-stitch binding  <input type="checkbox"/>	<p>KA-6550-ET Art n°: 6AG00003458</p> <ul style="list-style-type: none"> • Side exit tray  <input type="checkbox"/>
<p><i>Either one option can be installed.</i></p>		
<p>KN-1103 Art n°: 6AH00000245</p> <ul style="list-style-type: none"> • Finisher guide rail <input type="checkbox"/>	<p><i>The finisher guide rail is recommended for all working environments with thick carpets or irregular floors in order to maintain the finisher stability. This rail also helps users to reconnect the finisher to the main unit after separation.</i></p>	
<p>MJ-6102E Art n°: 6AH00000164</p> <ul style="list-style-type: none"> • Hole punch unit • 2 holes (80 mm pitch) <input type="checkbox"/>	<p>MJ-6102F Art n°: 6AH00000145</p> <ul style="list-style-type: none"> • Hole punch unit • 4 holes (80 mm pitch) <input type="checkbox"/>	
<p><i>These items are optional for Finisher MJ-1103 and MJ-1104. Either one option can be installed.</i></p>		

OTHER

<p>MF-5520E <input type="checkbox"/></p> <p>Art n°: 6AG000002375</p> <ul style="list-style-type: none"> • Damp Heater 	<p>GQ-1200 <input type="checkbox"/></p> <p>Art n°: 6A000001088</p> <ul style="list-style-type: none"> • Harness Kit for Coin Controller
---	---

SUPPLIES

Toner

T-FC65EC - Cyan	<input type="checkbox"/>
Art n°: 6AK00000179	
T-FC65EM - Magenta	<input type="checkbox"/>
Art n°: 6AK00000183	
T-FC65EY - Yellow	<input type="checkbox"/>
Art n°: 6AK00000185	
T-FC65EK - Black	<input type="checkbox"/>
Art n°: 6AK00000181	

<p>Toner Bag</p> <p>TB-FC55E <input type="checkbox"/></p> <p>Art n°: 6AG00002332</p>	<p>Drum</p> <p>OD-FC55 <input type="checkbox"/></p> <p>Art n°: 6LH16946000</p>
<p><i>Drums and Toner Bag are included.</i></p>	

Staples

Staple-2400	<input type="checkbox"/>
Art n°: 6A000000706	
For MJ-1103 and MJ-1104	
Staple-3100	<input type="checkbox"/>
Art n°: 6A000001023	
For saddle in MJ-1104	




Staples are included in Finisher unit.

System Expansion

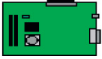
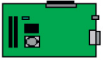
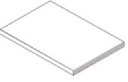
e-BRIDGE ID-GATE

TWN3 Mifare Art n°: 6BC02231630 • Proximity card reader	<input type="checkbox"/>	TWN3 MULTI125 Art n°: 6BC02231631 • Proximity card reader	<input type="checkbox"/>	TWN3 INDITAG Art n°: 6BC02231636 • Proximity card reader	<input type="checkbox"/>
TWN3 HID PROX Art n°: 6BC02231632 • Proximity card reader	<input type="checkbox"/>	TWN3 LEGIC Art n°: 6BC02231633 • Proximity card reader	<input type="checkbox"/>	TWN3 HID ICLASS Art n°: 6BC02231634 • Proximity card reader	<input type="checkbox"/>
TWN3 MULTI ISO Art n°: 6BC02231635 • Proximity card reader					
Either one option can be installed.					

WIRELESS LAN/BLUETOOTH

GN-1060 Art n°: 6A000001221 • Wireless LAN module	 <input type="checkbox"/>	GN-3010 Art n°: 6A000000459 • Antenna	 1x <input type="checkbox"/>
Requires antenna GN-3010			2x <input type="checkbox"/>
GN-2010 Art n°: 6A000000766 • Bluetooth module	 <input type="checkbox"/>	One antenna required per connectivity option.	
Requires antenna GN-3010			

FAX

GD-1270EU Art n°: 6AH00000449 • Fax board	 <input type="checkbox"/>	GD-1260EU Art n°: 6AH00000214 • Fax 2nd line	 <input type="checkbox"/>	FAX MANUAL GD-1250-1260-1270 Art n°: English 6BC02231602 French 6BC02231603 Spanish 6BC02231606	
Requires Fax board GD-1250EU					

SECURITY KITS

GP-1070 Art n°: 6A000001051 • Data Overwrite Enabler	 <input type="checkbox"/>	GP-1080 Art n°: 6A000001053 • IPSec Enabler	 <input type="checkbox"/>
---	--	--	--

OPEN PLATFORM

GS-1010 Art n°: 6A000001055 • Meta Scan Enabler	 <input type="checkbox"/>	GS-1020 Art n°: 6A000001057 • Web-Services Enabler	 <input type="checkbox"/>
--	--	---	--