

# Configuration Document

**e-STUDIO6550c**   
 Art n°: 6AG00003395

**e-BRIDGE**



**Standard equipment:**

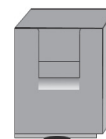
- 4 cassettes, 540 sheets each
- Bypass, 100 sheets
- RADF, 100 sheets
- Stackless auto-duplex unit
- Colour LCD touch panel
- 4<sup>th</sup> generation e-BRIDGE
- 2.0 GB RAM
- 80 GB hard drive
- Print/Scan function
- Network interface
- TopAccess
- e-Filing
- 4 Process Units, incl. Drums and Developers

## Toshiba e-Studio6550c Accessories Configuration Document



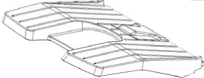
### PAPER SOURCES

#### MP-2501A

- Art n°: 6A000001017
- Large Capacity Feeder
  - 1 x 2.500 sheets A4



### FINISHING

<p><b>MJ-1103</b>          Art n°: 6AH00000141</p> <ul style="list-style-type: none"> <li>• Console Finisher</li> <li>• 50-sheet multi-position stapling</li> </ul>  <input type="checkbox"/>	<p><b>MJ-1104</b>          Art n°: 6AH00000160</p> <ul style="list-style-type: none"> <li>• Booklet Finisher</li> <li>• 50-sheet multi-position stapling</li> <li>• Saddle-stitch binding</li> </ul>  <input type="checkbox"/>	<p><b>KA-6550-ET</b>          Art n°: 6AG00003458</p> <ul style="list-style-type: none"> <li>• Side exit tray</li> </ul>  <input type="checkbox"/>
<p><i>Either one option can be installed.</i></p>		
<p><b>KN-1103</b>          Art n°: 6AH00000245 • Finisher guide rail</p> <input type="checkbox"/>	<p><i>The finisher guide rail is recommended for all working environments with thick carpets or irregular floors in order to maintain the finisher stability. This rail also helps users to reconnect the finisher to the main unit after separation.</i></p>	
<p><b>MJ-6102E</b>          Art n°: 6AH00000164</p> <ul style="list-style-type: none"> <li>• Hole punch unit</li> <li>• 2 holes (80 mm pitch)</li> </ul> <input type="checkbox"/>	<p><b>MJ-6102F</b>          Art n°: 6AH00000145</p> <ul style="list-style-type: none"> <li>• Hole punch unit</li> <li>• 4 holes (80 mm pitch)</li> </ul> <input type="checkbox"/>	
<p><i>These items are optional for Finisher MJ-1103 and MJ-1104. Either one option can be installed.</i></p>		

### OTHER

<p><b>MF-5520E</b> <input type="checkbox"/>          Art n°: 6AG000002375</p> <ul style="list-style-type: none"> <li>• Damp Heater</li> </ul>	<p><b>GQ-1200</b> <input type="checkbox"/>          Art n°: 6A000001088</p> <ul style="list-style-type: none"> <li>• Harness Kit for Coin Controller</li> </ul>
---	---

### SUPPLIES



<p><b>Toner</b></p> <ul style="list-style-type: none"> <li>T-FC65EC - Cyan <input type="checkbox"/>              Art n°: 6AK00000179</li> <li>T-FC65EM - Magenta <input type="checkbox"/>              Art n°: 6AK00000183</li> <li>T-FC65EY - Yellow <input type="checkbox"/>              Art n°: 6AK00000185</li> <li>T-FC65EK - Black <input type="checkbox"/>              Art n°: 6AK00000181</li> </ul>	<p><b>Toner Bag</b></p> <p>TB-FC55E <input type="checkbox"/>          Art n°: 6AG00002332</p>	<p><b>Drum</b></p> <p>OD-FC55 <input type="checkbox"/>          Art n°: 6LH16946000</p>	<p><b>Staples</b></p> <ul style="list-style-type: none"> <li>Staple-2400 <input type="checkbox"/>              Art n°: 6A000000706              For MJ-1103 and MJ-1104</li> <li>Staple-3100 <input type="checkbox"/>              Art n°: 6A000001023              For saddle in MJ-1104</li> </ul>
<p><i>Drums and Toner Bag are included.</i></p>			<p><i>Staples are included in Finisher unit.</i></p>

# System Expansion

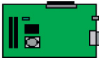
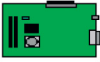
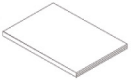
## e-BRIDGE ID-GATE

<b>TWN3 Mifare</b> Art n°: 6BC02231630 • Proximity card reader	<input type="checkbox"/>	<b>TWN3 MULTI125</b> Art n°: 6BC02231631 • Proximity card reader	<input type="checkbox"/>	<b>TWN3 INDITAG</b> Art n°: 6BC02231636 • Proximity card reader	<input type="checkbox"/>
<b>TWN3 HID PROX</b> Art n°: 6BC02231632 • Proximity card reader	<input type="checkbox"/>	<b>TWN3 LEGIC</b> Art n°: 6BC02231633 • Proximity card reader	<input type="checkbox"/>	<b>TWN3 HID ICLASS</b> Art n°: 6BC02231634 • Proximity card reader	<input type="checkbox"/>
<b>TWN3 MULTI ISO</b> Art n°: 6BC02231635 • Proximity card reader					
Either one option can be installed.					

## WIRELESS LAN/BLUETOOTH

<b>GN-1060</b> Art n°: 6A000001221 • Wireless LAN module	 <input type="checkbox"/>	<b>GN-3010</b> Art n°: 6A000000459 • Antenna	<input type="checkbox"/> 1x
Requires antenna GN-3010			<input type="checkbox"/> 2x
<b>GN-2010</b> Art n°: 6A000000766 • Bluetooth module	 <input type="checkbox"/>	One antenna required per connectivity option.	
Requires antenna GN-3010			

## FAX

<b>GD-1270EU</b> Art n°: 6AH00000449 • Fax board	 <input type="checkbox"/>	<b>GD-1260EU</b> Art n°: 6AH00000214 • Fax 2nd line	 <input type="checkbox"/>	<b>FAX MANUAL GD-1250-1260-1270</b> Art n°: English 6BC02231602 French 6BC02231603 Spanish 6BC02231606	
Requires Fax board GD-1250EU					

## SECURITY KITS

<b>GP-1070</b> Art n°: 6A000001051 • Data Overwrite Enabler	 <input type="checkbox"/>	<b>GP-1080</b> Art n°: 6A000001053 • IPSec Enabler	 <input type="checkbox"/>
---	--	--	--

## OPEN PLATFORM

<b>GS-1010</b> Art n°: 6A000001055 • Meta Scan Enabler	 <input type="checkbox"/>	<b>GS-1020</b> Art n°: 6A000001057 • Web-Services Enabler	 <input type="checkbox"/>
--	--	---	--